

# Starrett®

Precision, Quality, Innovation

METROLOGY SYSTEMS

## THE HF750 FLOOR STANDING OPTICAL COMPARATOR

Optical Comparators

Readouts

Software



# HORIZONTAL FLOOR STANDING OPTICAL COMPARATOR HF750

Utilizing the same exemplary build standards as the HF600, the HF750 super capacity optical comparator delivers benefits from an even larger 30" (762mm) screen, setting a new standard for clarity and brightness. Ideal for use over a broad spectrum of industries and applications, the HF750 is designed and built to satisfy the requirements of measuring small to large work pieces with total precision, ruggedness, and efficiency. The geometric software measures diameter, radius, angle, line and point features, plus part skewing for faster setup. The HF750 is available with optical edge detection or video edge detection with advanced software and OV2 or TOV2 video camera options.

## FEATURES AND SPECIFICATIONS

- 12" x 8" (300mm x 200mm) X-Y travel workstage
- All metal construction with nickel plated stage tooling plate
- 30" (762mm) diameter screen with precision cross lines and overlay clips
- Motorized X and Y axes standard
- Two-axis power drive via joystick and variable speed control for fine adjust
- Projection lens turret with three lens capacity (lenses not included)
- Turret mounted condenser system and yellow/green filter and provision to mount further accessories
- Stage Weight Capacity: 330lbs (150kg) (evenly distributed)
- Workstage capacity between centers 17.5" (440mm)
- Fully retractable duplex fiber optic surface illumination
- LED profile and surface illumination
- 20µin (0.5µm) resolution Heidenhain linear scales
- Screen driven rotary Q-axis with 1" resolution
- Available with MetLogix™ M2 all-in-one touchscreen PC, M3 PC with touchscreen monitor, or Mx-Series digital readout.

## OPTIONS

- Six interchangeable lens magnifications including 10x, 20x, 25x, 31.25x, 50x and 100x
- Interchangeable OV2 video camera system with 6.5:1 zoom lens
- Interchangeable TOV2 telecentric video camera system with choice of 0.16x, 0.3x or 0.5x fixed magnification lenses
- Extended Stage Travel: 20" (500mm) X-axis; 8" (200mm) Y-axis
- Fully automatic CNC controls
- Automatic optical edge detection
- Automatic video edge detection available only with OV2 and TOV2 video camera systems
- Swing-away lamp house
- Extensive line of accessories
- Full canopy and curtains

## OPERATOR INTERFACE

Feature	M2	M3	Mx200
Optical edge detection (Option)	✓	✓	✓
Geometric Functions	✓	✓	✓
Graphic Based Constructions	✓	✓	✓
Tolerancing	✓	✓	✓
Data export reporting	✓	✓	✓
Part programming and playback	✓	✓	✓
Operating system	MS Windows®	Windows®	MLX Android™
Part view display	✓	✓	–
Feature annotation	✓	✓	–
CNC drive option	–	✓	–
Video edge detection (option)	–	✓	–
CAD file import and export option	–	✓	–
Software developer	MetLogix™	MetLogix™	MetLogix™

## SPECIFICATIONS

	HF750
Horizontal Travel	12" (300mm)
Vertical Travel	8" (200mm)
Focus Travel	3" (75mm)
Top Plate*	25 x 9" (635 x 230mm)
Image	Erect and reversed

\*With machined slots for easy fixturing

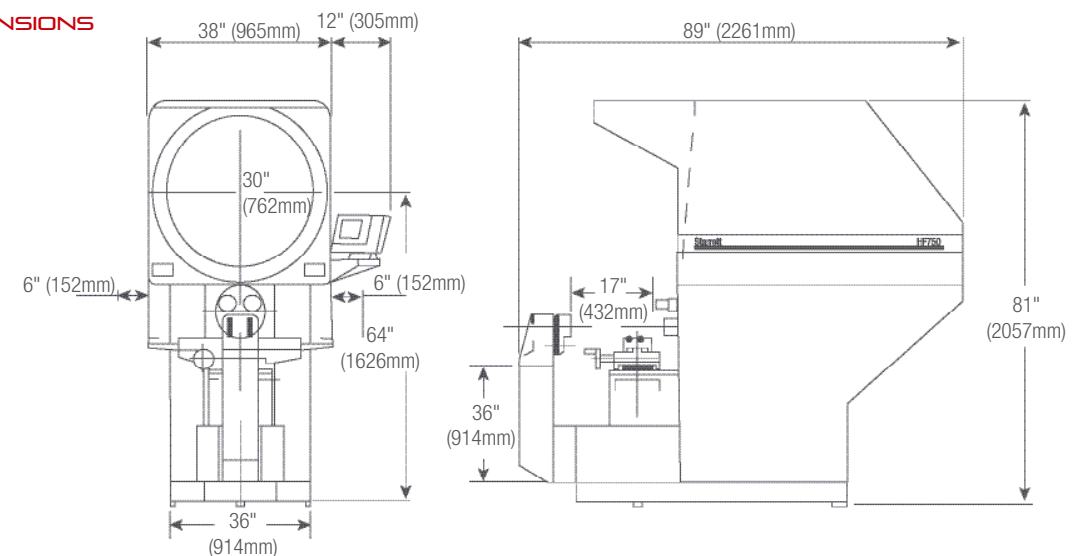
## WEIGHT AND DIMENSIONS

	HF750
Net Weight	1660lbs 753kg
Shipping Weight	1800lbs 817kg
Crated Dimensions	96" x 48" x 91" 244cm x 124cm x 231cm



- ✓ LARGE WORK STAGE
- ✓ MULTI-LENS TURRET
- ✓ VIDEO CAMERA COMPATIBLE

## HF750 DIMENSIONS



Click the QR code to view the HF750



**Starrett**

# ACCESSORIES

Starrett offers a full range of accessories and purpose-built cabinet stands designed for our optical comparator systems to ensure efficient system setup for a broad range of applications.



Photo Key	Part No.	Description	For Models
A	OLN01	10X Magnification Lens	HF750
B	OLN02	20X Magnification Lens	HF750
C	OLN03	25X Magnification Lens	HF750
D	OLN36	31.25X Magnification Lens**	HF750
E	OLN04	50X Magnification Lens	HF750
F	OLN05	100X Magnification Lens	HF750
G	OID4	Iris Diaphragm	HF600, HF750, VF600
H	ORV2	Rotary Vise	HF600, HF750
I	OCN8	Center and Vee - Large	HF600, HF750
J	OCN7	Center and Vee - Small	HF600, HF750
K	OVH1	Glass Plate Work Holder	HF600, HF750

\*\*Product not shown

## METROLOGY SYSTEMS

# Starrett®

Starrett Kinematic Engineering, Inc.

26052 Merit Circle, #103

Laguna Hills, CA 92653 USA

Phone: (949) 348-1213 | Fax: (949) 582-8040



Follow us!

